



## ISOVER® TECH DB SPACER

Acoustic spacer for pipes



### PRODUCT DESCRIPTION

Isover TECH dB Spacer is an elastic support system for the external metal cover or cladding on industrial insulation systems. It has anti-vibration properties that enable the reduction of low-frequency vibration transmission from the pipe towards the ambient, thereby achieving excellent noise reduction values in relation to ISO 15665 constructions.

### SOUND INSULATION



Optimal noise reduction combined with Isover mineral wool provides integral solutions that enable high levels of noise reduction to be achieved.

### FAST INSTALLATION



Easy to install due to its double omega profile which adapts to all types of supports.

### MECHANICAL RESISTANCE



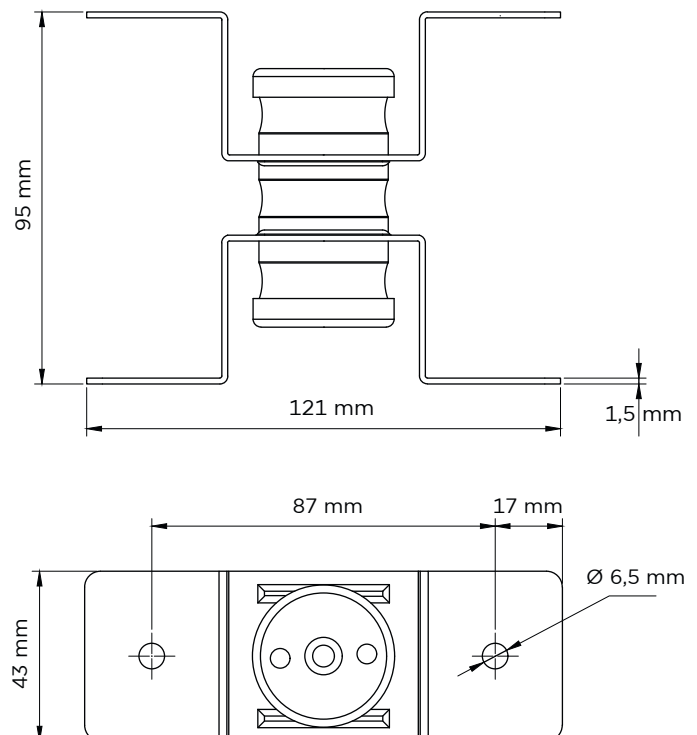
The mechanical resistance of the elastic spacer enables high attenuation levels to be achieved from low to high load values without any loss of system efficiency.

### DELIVERY FORM

Isover TECH dB Spacers are delivered in boxes on pallets.

Spacers per box	50
Boxes per pallet	30

### DIMENSIONS

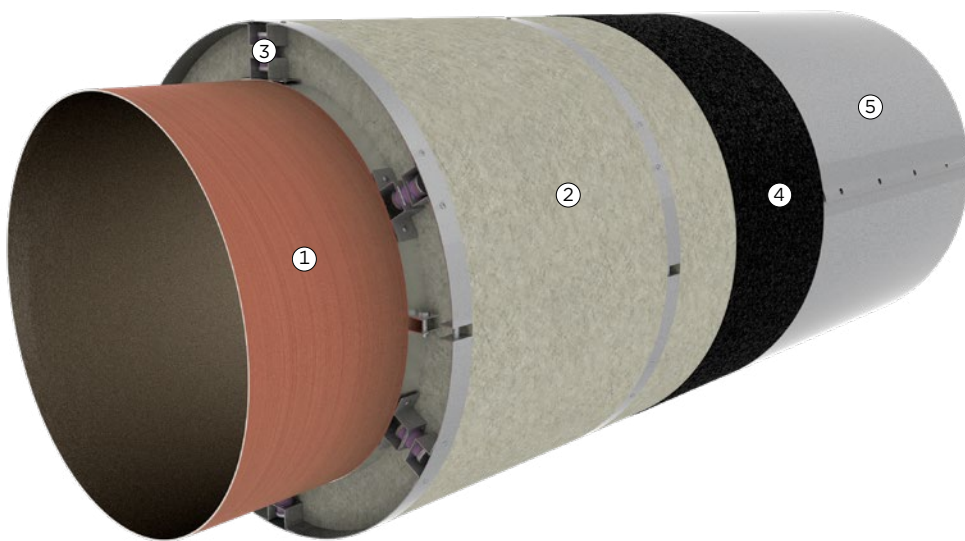


# ISOVER® TECH DB SPACER

## CHARACTERISTICS

Material	Viscoren
Minimal operational load	9 kg/unit
Maximal operational load	12.5 kg/unit
Color	Purple
Temperature range	-10°C/+100°C
Lengthening of the break (ASTM D412)	910%
Weather resistance	Excellent
Resistance to UV rays	Excellent
Resistance to ozone	Excellent
Recyclable material	100%

## CONSTRUCTION



1. Pipe.
2. Isover U TECH Wired Mat MT 4.0.
3. Isover TECH dB Spacer.
4. Mass layer (glued to the cladding).
5. Cladding.



Product changes are reserved. The most recent information can be found at <https://benelux.saint-gobain-technical-insulation.com/>